

ET1 Manual / antipanic



DoPAP002/1234

DoPAP005/1569

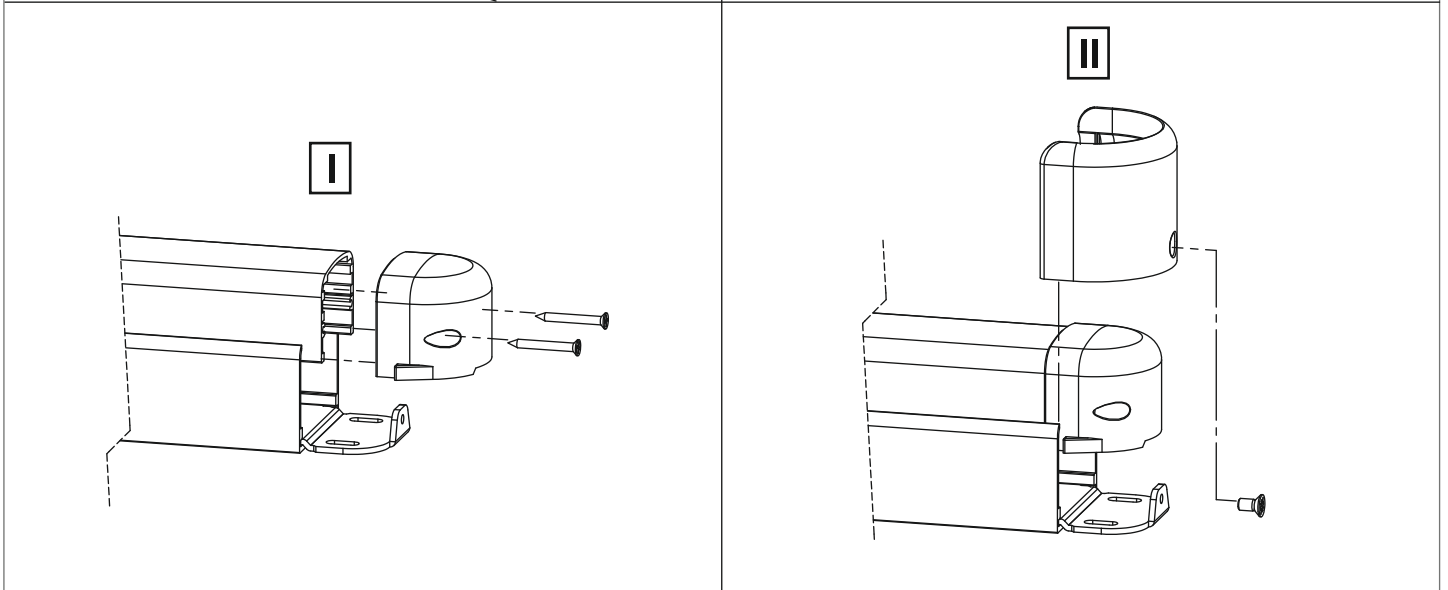
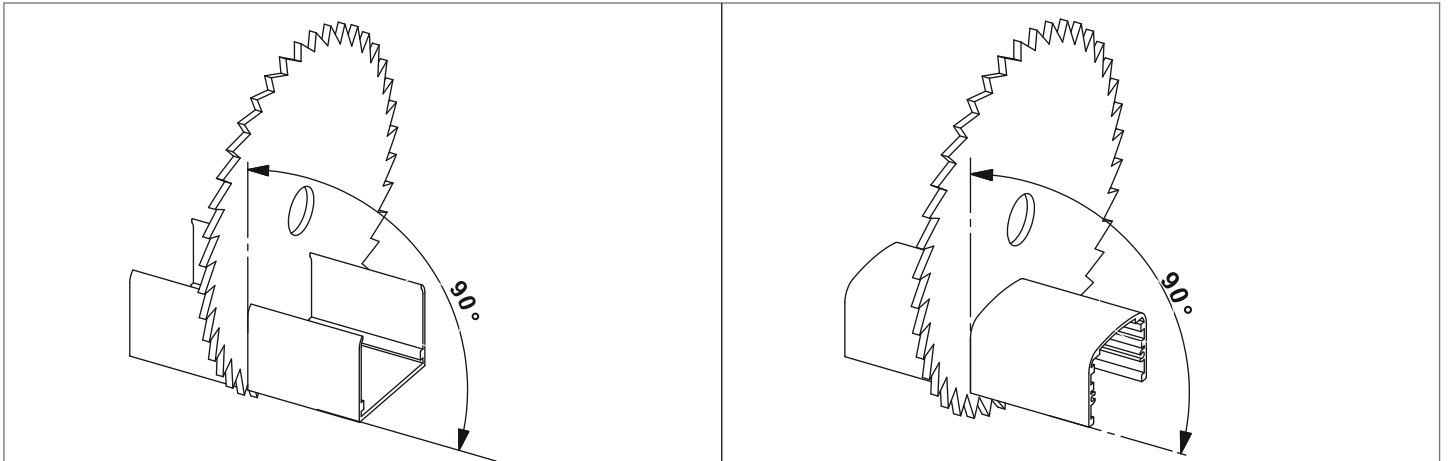
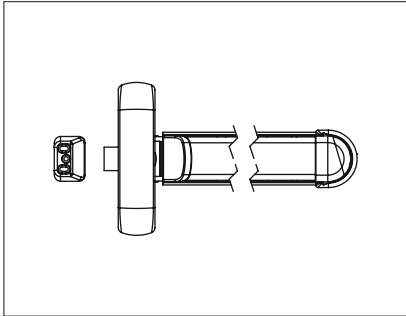


CE	07
0425 - 1234	3 - 7 - 7 - B - 1 - 4 - 2 - 2 - B - A
0425 - 1569	3 - 7 - 7 - 0 - 1 - 4 - 2 - 2 - B - A
EN 1125:2008	

Rev.00/14

Max1300mm.
-20°C/+100°C
Max 2500 mm.
Max>200Kg.

The features of this panic exit device are of utmost importance for people's safety. Therefore in no case may any changes be made to the product. The fire-resistance time is 69 minutes for every door configuration.



© 2016, SARO GLOBAL INC / All rights reserved. SARO GLOBAL and the saro global logo are trademarks or registered trademarks of SARO GLOBAL corporation or its subsidiaries in Iran and/or other countries. Other trademarks or registered trademarks are the property of their respective owners.

© 2016, SARO GLOBAL INC / All rights reserved. SARO and the saro logo are trademarks or registered trademarks of SARO GLOBAL corporation or its subsidiaries in Iran and/or other countries. Other trademarks or registered trademarks are the property of their respective owners.

